

# Christie Solaria One/ Solaria One+

Alternative/Local content  
Digital cinema  
High Frame Rate compatible  
Post production



## One complete digital cinema projection solution. Global appeal.

Investing in a new digital cinema projection system that meets both patron and DCI standards can be a significant investment – especially if distributor-backed financing isn't available. Christie® has created an affordable, DCI compliant, complete solution that will captivate audiences – anywhere in the world. Christie Solaria® One is the brightest-in-class, complete projection solution capable of projecting 8000 lumens in the DCI color space (9000 lumens for alternative content) making it perfect for screens up to 35 feet.

Christie Solaria One comes with a lens, custom-designed Xenon lamp, and Christie Integrated Media Block (IMB) with its own easy-to-operate Screen Management Software (SMS). It's easy to operate and maintain, and has the lowest total cost of ownership on the market.

The Christie Solaria One makes digital cinema conversion affordable, possible – a reality.

**CHRISTIE®**



- ▲ With a built-in Christie IMB and easy-to-operate SMS, Solaria One is the most reliable, DCI compliant digital cinema projection solution available.

## Christie Solaria One

With the ability to display DCI content, alternative and local content, 3D and High Frame Rate (HFR) content, Christie Solaria One gives you the flexibility you've been waiting for. Feature film content is displayed using the built-in Christie IMB, linked directly to external commodity storage systems<sup>1</sup>, reducing your overall system cost and increasing overall system reliability. The Christie Solaria One also offers HFR upgrade capabilities and MPEG2/H.264 support for advertising and alternative content. For external alternative content sources, the Christie Solaria One has dual DVI/HDMI inputs, configurable for both 2D and 3D operation.

Christie Solaria One supports all external 3D systems. If you want higher brightness 3D presentations, stack the Christie Solaria One projectors for a stunning 3D presentation.

**"The Christie and Solaria One projectors offer superb quality with a heightened viewing experience for movie lovers. These projectors are perfectly suited for smaller screens and are very cost effective. Ster-Kinekor is proud to be the first chain in the world to deploy this product and we believe that this partnership meets the very real demand from our valued audiences in seeing the best film content – at its greatest!"**

**Fiaz Mahomed**  
CEO Ster-Kinekor Theatres



Key features:

- S2K DLP Cinema®
- Fully DCI compliant
- Xenon illumination
- 3D ready
- High value system design, low cost of ownership
- Integrated Christie IMB and SMS
- Lens and custom-designed high value lamp included
- Touch panel controller with intuitive Graphical User Interface (GUI)
- HFR upgradable
- Uses commodity storage devices<sup>1</sup>
- Standard support for HDCP
- MPEG2/H.264 support
- Quick, easy rear access to the lamp
- Washable/reusable filters
- Backed by a single, dedicated technical support team

## Christie Solaria One+

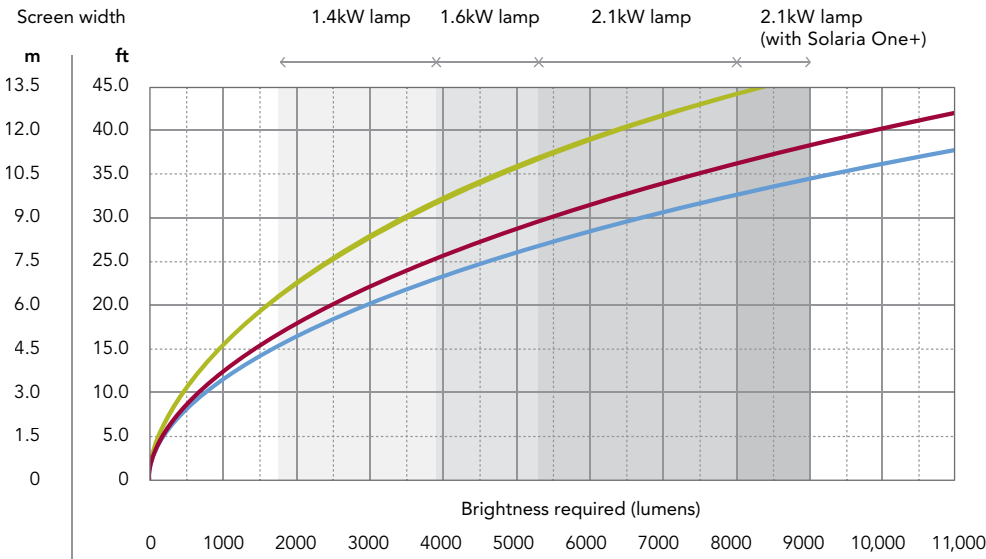
For theaters with side masking or post production houses, Christie Solaria One+ offers these additional features:

- Motorized lens mount
- Superior optical performance specifications enabling higher contrast
- Capable of attaining an additional 1000 lumens within the DCI color space



<sup>1</sup> DCI compliant commodity storage systems available through your Christie sales representative.

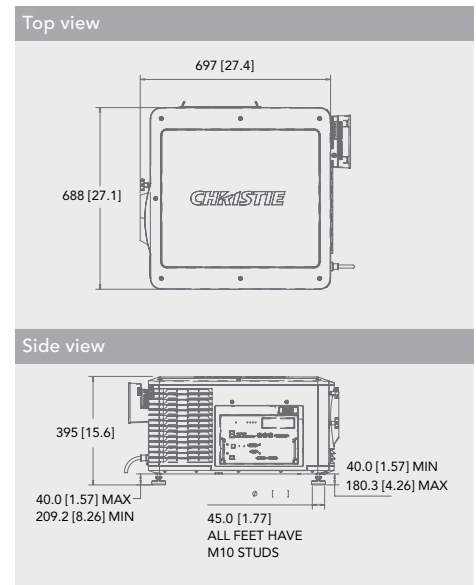
# Christie Solaria One: Brightest in class



- 1.8 screen gain, 14fl
- 1.2 screen gain, 14fl
- 1.0 screen gain, 14fl

▲ Leveraging three high performing lamp options, the Christie Solaria One and Solaria One+ deliver superior brightness in the DCI color space.

Specifications	Solaria One (138-001102-01)	Solaria One+ (138-001113-01)
<b>Brightness</b>	lamp	<ul style="list-style-type: none"> <li>• 2.1kW CDXL-21S1 (003-004258-01)</li> <li>• 1.6kW CDXL-16M (003-003900-01)</li> <li>• 1.4kW CDXL-14M (003-003066-01)</li> </ul>
	nominal	<ul style="list-style-type: none"> <li>• 8000 lumens with DCI color space</li> <li>• 9000 with native color space</li> </ul>
	screen size	<ul style="list-style-type: none"> <li>• &lt;35ft/10.5m maximum screen size</li> </ul>
<b>Ballast</b>	• 2.3kW Ushio (700W-2.1kW)	• 2.3kW Ushio (700W-2.3kW)
<b>Contrast ratio</b>	• >1700:1 full field on/off	• >1900:1 full field on/off
<b>Digital micromirror device</b>	<ul style="list-style-type: none"> <li>• 0.69" S2K 3-chip DMD DLP Cinema</li> <li>• 2048 x 1080 pixels</li> </ul>	
<b>Number of colors</b>	• 35.2 trillion	
<b>Lens mount configuration</b>	• Manual alignment adjustments	• Motorized alignment adjustments
<b>Lenses</b>	<ul style="list-style-type: none"> <li>• 1.2-1.72:1 (108-458108-01)</li> <li>• 1.33-2.1:1 (108-459109-01)</li> <li>• 1.62-2.7:1 (108-460101-01)</li> <li>• 2.09-3.9:1 (108-461102-01)</li> </ul>	<ul style="list-style-type: none"> <li>• 1.2-1.7:1 (108-464105-01)</li> <li>• 1.34-1.9:1 (108-465106-01)</li> <li>• 1.5-2.15:1 (108-466107-01)</li> <li>• 1.7-2.55:1 (108-467108-01)</li> <li>• 2.0-3.9:1 (108-468109-01)</li> </ul>
<b>Input line voltage</b>	• Single phase 220V	
<b>Power supply</b>	• 700W-2.1kW low-ripple switch mode lamp power supply	
<b>Weight</b>	• As installed: 119lbs (53.75kg)	• As installed: ~123lbs (55.79kg)
<b>Size</b>	• (LxWxH): 27.4 x 27.1 x 15.6" (697 x 688 x 395 mm)	
<b>Accessories</b>	<ul style="list-style-type: none"> <li>• HFR software upgrade</li> <li>• 90 degree extraction duct adapter (119-103105-01)</li> <li>• Rack mount stand (108-416102-01)</li> </ul>	



◀ Christie Solaria One shares all the same digital cinema electronics and technologies as the industry-leading Solaria Series, including an easy-to-operate touch panel controller.

▶ With the Christie Solaria One's compact size and optional heat extraction duct adapter, this powerful and feature-rich projector can be installed nearly anywhere.



#### Corporate offices

---

Christie Digital Systems USA, Inc.  
USA – Cypress  
ph: 714 236 8610

Christie Digital Systems Canada Inc.  
Canada – Kitchener  
ph: 519 744 8005

#### Independent sales consultant offices

---

Italy  
ph: +39 (0) 2 9902 1161

#### Worldwide offices

---

United Kingdom  
ph: +44 (0) 118 977 8000

Germany  
ph: +49 2161 664540

France  
ph: +33 (0) 1 41 21 44 04

Spain  
ph: +34 91 633 9990

Eastern Europe and  
Russian Federation  
ph: +36 (0) 1 47 48 100

Republic of South Africa  
ph: +27 (0)11 510 0094

United Arab Emirates  
ph: +971 4 3206688

India  
ph: +91 80 6708 9999

Singapore  
ph: +65 6877 8737

China (Shanghai)  
ph: +86 21 6278 7708

China (Beijing)  
ph: +86 10 6561 0240

Japan (Tokyo)  
ph: 81 3 3599 7481

Korea (Seoul)  
ph: +82 2 702 1601



ISO 9001  
ISO 14001

Kitchener, Ontario



For the most current specification information, please visit [www.christiedigital.com](http://www.christiedigital.com)



Copyright 2013 Christie Digital Systems USA, Inc. All rights reserved. All brand names and product names are trademarks, registered trademarks or tradenames of their respective holders. Christie Digital Systems Canada Inc.'s management system is registered to ISO 9001 and ISO 14001. Performance specifications are typical. Due to constant research, specifications are subject to change without notice.  
Printed in Canada on recycled paper. 3530 Mar 13

**CHRISTIE®**