

Christie Duo

Premium theaters

Super-bright 2D and 3D presentations



A premium cinema experience for everyone

You've spent a lot of time, energy and money to bring your patrons the finest movie experience possible. Don't compromise when it comes to your projection technology. Christie® Duo™ gets you super bright screen images at a fraction of the cost of current industry solutions. The result – a brilliant premium 2D or 3D experience that your audiences will keep coming back for time and time again. And you get all the credit.

The Christie Duo integration kit can be purchased with either 2K or 4K Christie Solaria® Series digital cinema projectors or as a standalone integration kit for existing Christie projectors. It's cost-effective with low upfront costs and no ongoing revenue sharing to worry about. The result is unmatched brightness, sharpness and superior 3D images.

"We're very excited to be the first exhibitor in the world to deploy the Christie Duo single-mirror, 90 degree projector configuration, which is a cutting-edge technology that delivers the brightest, pixel-perfect 4K images onto Australia's largest traditional movie screen. The technical capabilities that the product opens up for us will help us give our guests all the features of advanced cinema that they expect from Hoyts."

Adam Wrightson
Executive Director and CTO
Hoyts Cinema Technology Group



▲ Hoyts branding experience
Photo courtesy of Hoyts Corporation and Katy Carpenter

The very best and brightest 3D hands down

If you're going to show 3D in your premium VIP theater why not use the best technology on the market today. You get all that with the Christie Duo integration kit. A fully built-in dual projection system, it allows one projector to be dedicated to the right eye and one projector to be dedicated to the left, which doubles the brightness on your screen, and eliminates frame-flashing switching artifacts that compromise overall 3D image quality. This provides the brightest, most engaging and comfortable 3D viewing experience.

Wouldn't you love to be known as the best 3D premium theater in your area?

When you're ready, easily upgrade your Christie Duo projection system with Christie Previsto™ High Frame Rate (HFR) technology. Christie Previsto allows Christie Solaria Series 2 projectors to accept video content at frame rates as high as 48 and 60 frames per second (FPS). The current industry standard is 24 FPS. HFR technology renders fast-moving objects in exceptional detail, boosting the clarity and smoothness of the image. Display premium 2D/3D HFR feature films and alternative content in their original format, giving your audiences the best, most immersive visual experience possible.

A superior cinema experience and you're the star

The Christie Duo integration kit is integral to building your premium theater experience and defining your theater as the ultimate destination for movie-goers. Unlike current 'big screen' solutions, with Christie Duo you have the flexibility to build your own premium brand, delivering a superior theater experience that stands out from the crowd – a memorable, engaging experience that your audiences will return to again and again. With Christie Duo, your brand can be 'best in class' for premium theater experiences.

"Affordability, without sacrificing quality, is paramount for us and we are pleased to be partnering with Christie to bring the premium theater experience to our customers throughout Brazil."

Marcos Araújo
Director, Grupo Araújo
de Cinemas, Brazil

Brilliant quality with a low cost of ownership

The combination of two Christie Solaria projectors and the Christie Duo integration kit delivers significant cost savings over other branded 'big screen' industry solutions. With lower upfront costs, and no ongoing revenue sharing, Christie Duo answers the global market demand for a solution that delivers a high performance and financially accessible premium movie experience.



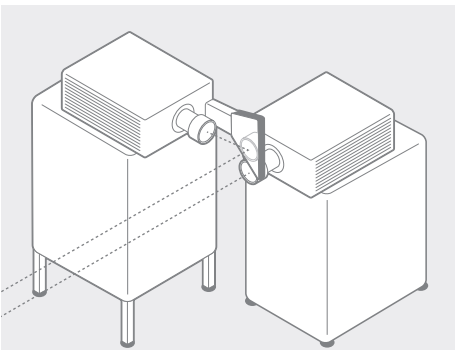
▲ Our Christie DuoAlign™ auto-calibrating image alignment software and camera kit easily maintains alignment of the images from both projectors, within seconds, to deliver a completely seamless, premium movie experience for your largest screens.



- ◀ The patented Christie Duo mirror system has been specially designed to provide uniform pixel convergence across the entire screen for brilliant 2D and 3D presentations.

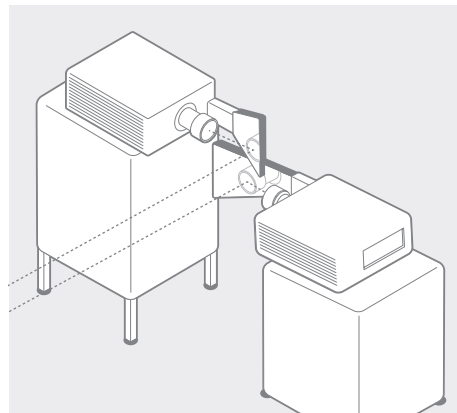
The solution to suit your cinema

The Christie Duo integration kit has the flexibility to support your cinema based on your booth size and 3D system requirements. Christie Duo comes in either a single mirror, dual mirror or stacked configuration.



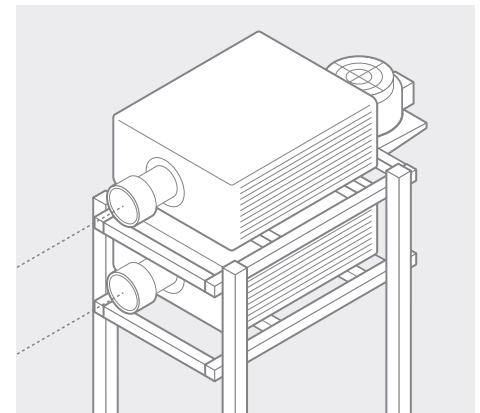
Single mirror

Right arm mirror assy.	108-449108-01
DuoAlign kit ¹	108-469100-01
Mirror duo spare ²	108-476108-01
Polarizer frame ³	108-462103-01



Dual mirror

Right arm mirror assy.	108-449108-01
Left arm mirror assy.	108-463104-01
DuoAlign kit ¹	108-469100-01
Mirror duo spare ²	108-476108-01
Polarizer frame ³	108-462103-01



Stacked

Stacking frame	108-450100-01
DuoAlign kit ¹	108-469100-01
Polarizer frame ³	108-462103-01

System requirements:

Two matched Christie Solaria projectors⁴
 Solaria software release 3.1.0 (or later)
 A motorized lens mount
 One Christie Integrated Media Block (IMB) for each projector

Supported 3D systems:

Christie Duo 3D static polarizer kit
 Dolby® 3D
 MasterImage MI-DUAL3D
 RealD XL-DP⁵
 XPAND

¹ The Christie DuoAlign kit includes auto-calibrating image alignment software, a laptop PC, and camera. It requires that each projector contains a Christie IMB, and is optional at time of purchase and can be an upgraded at a later time ² Spare mirror is optional but recommended ³ Polarizer frame is required for use of the Christie 3D static polarizer system ⁴ Christie CP2210, Christie Solaria One, and Christie Solaria One+ excluded ⁵ Stacked configuration only

Corporate offices

Christie Digital Systems USA, Inc.
USA – Cypress
ph: 714 236 8610

Christie Digital Systems Canada Inc.
Canada – Kitchener
ph: 519 744 8005

Independent sales consultant offices

Italy
ph: +39 (0) 2 9902 1161

Worldwide offices

United Kingdom
ph: +44 (0) 118 977 8000

Germany
ph: +49 2161 664540

France
ph: +33 (0) 1 41 21 44 04

Spain
ph: +34 91 633 9990

Eastern Europe and
Russian Federation
ph: +36 (0) 1 47 48 100

Republic of South Africa
ph: +27 (0)11 510 0094

United Arab Emirates
ph: +971 4 3206688

India
ph: +91 80 6708 9999

Singapore
ph: +65 6877 8737

China (Shanghai)
ph: +86 21 6278 7708

China (Beijing)
ph: +86 10 6561 0240

Japan (Tokyo)
ph: 81 3 3599 7481

Korea (Seoul)
ph: +82 2 702 1601



For the most current specification information, please visit www.christiedigital.com



Copyright 2013 Christie Digital Systems USA, Inc. All rights reserved. All brand names and product names are trademarks, registered trademarks or tradenames of their respective holders. Christie Digital Systems Canada Inc.'s management system is registered to ISO 9001 and ISO 14001. Performance specifications are typical. Due to constant research, specifications are subject to change without notice. Printed in Canada on recycled paper. 3531 Mar 13

CHRISTIE[®]