

# Christie CP2230

Digital cinema projection  
Outdoor exhibition  
Post production



## Our brightest digital cinema projector

The Christie® CP2230 is the brightest digital cinema projector available and is ideally suited for large screen theaters, post-production houses, multi-media theatrical productions and the most demanding 3D installations. With a unique optics design and superior image processing, the Christie CP2230 delivers crisp, clean images with perfect color saturation and spectacular video.

As part of the Christie Solaria® Series, the Christie CP2230 is based on Texas Instruments' Series 2 DLP Cinema® technology and is compliant with the Digital Cinema Initiatives (DCI) specification.

*Now available with Christie Previsto  
High Frame Rate technology*

**CHRISTIE®**



▲ For screens up to 100 feet



## Christie CP2230 split-body design

127-003104-01 CP2230 | 127-101103-01 7kW External Lamp Power Supply

Setting new standards with Brilliant3D™ technology, the Christie CP2230 features unique optics and superior image processing for crisp, clean images with perfect color saturation and spectacular moving pictures. At over 33,000 lumens, the Christie CP2230 is our brightest digital cinema projector for screens nearly 100 feet wide.

With its split body design, the Christie CP2230 can be installed on a variety of rack stands and universal pedestals allowing an easy fit even in the most difficult environments.

In addition, the 7kW remote power supply can be configured to allow it to be placed up to 30 meters from the projector allowing ultimate flexibility.

For installations that require the most brilliant 3D results, the Christie CP2230 delivers.

Now with Christie Previsto™ High Frame Rate (HFR) technology, your investment is ready for the next evolution of digital cinema. Display premium 2D/3D HFR feature film and alternative content in its original format, giving your audiences the best visual experience possible.

2K, Series 2 DLP Cinema technology

DCI compliant

Easily upgradable to 4K

3D ready

Lowest cost of ownership

Accessories – for easy integration into any environment, Christie's full range of digital cinema accessories includes the Christie Integrated Media Block (IMB), the Christie Cine-IPM 2K for alternative content, the Christie SKA-3D for economical Audio/Video processing, the Christie ACT automation control system, and a full suite of lenses and lamps.

Standard support for HDCP, SNMP and VNC

Optional motorized lens mount

Local control via flexible Touch Panel Controller (TPC) and full access from anywhere via web service based GUI

Separate projection head and lamp power supply

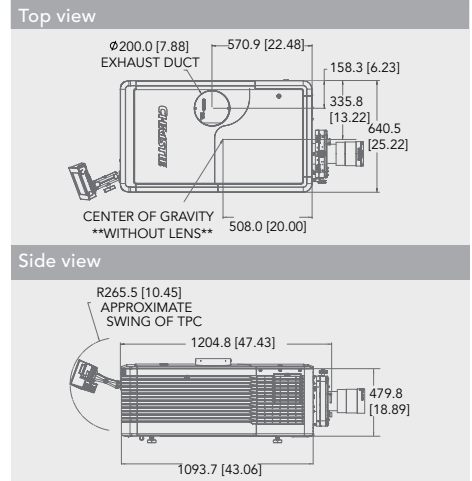
Adjustable lamp power – 1000-7000W

Highest contrast ratio

<sup>1</sup> Maximum screen size depends upon various factors such as screen gain, lamp age, geometry, etc. Consult your Christie representative for detailed analysis. Measured at screen center.

<sup>2</sup> To learn more about high frame rates and the next evolution of digital cinema display see Christie's High Frame Rate technology overview.

Specifications	CP2230	
Brightness <sup>1</sup>	lamp	<ul style="list-style-type: none"> <li>• 2.0kW (CDXL-20) 003-000598-XX</li> <li>• 3.0kW (CDXL-30) 003-000599-XX</li> <li>• 4.5kW (CDXL-45) 003-000600-XX</li> <li>• 6.0kW (CDXL-60) 003-000601-XX</li> </ul>
	nominal	• 33,000 lumens
	screen size	• 100' screen <sup>1</sup>
Supported frame rates	<ul style="list-style-type: none"> <li>• 2D up to 120 fps, 3D up to 60 fps/eye<sup>2</sup></li> </ul>	
Contrast ratio	• >2100:1 full field on/off	
Digital micromirror device	<ul style="list-style-type: none"> <li>• 1.2" 2K 3-chip DMD DLP Cinema</li> <li>• 2048 x 1080 pixels</li> <li>• Upgradable to 1.38" 4K (4096 x 2160 pixels)</li> </ul>	
Input line voltage	• 3 phase 208/400V	
Number of colors	• 35.2 trillion	
Lenses	• See christiedigital.com	
Power supply	• 7kW low-ripple switch mode lamp power supply	
Weight	<ul style="list-style-type: none"> <li>• As installed: 245lbs max (111kg)</li> <li>• Lamp power supply: 70lbs max (32kg)</li> </ul>	
Accessories	<ul style="list-style-type: none"> <li>• Christie Integrated Media Block (IMB) 108-384107-01</li> <li>• Lamp power supply cable kit 7.5m 127-103105-01</li> <li>• Lamp power supply cable kit 15m 127-103116-01</li> <li>• Lamp power supply cable kit 30m 127-103127-01</li> <li>• Rack mount stand 108-416102-01</li> </ul>	



### Corporate offices

Christie Digital Systems USA, Inc.  
USA – Cypress  
ph: 714 236 8610  
Christie Digital Systems Canada Inc.  
Canada – Kitchener  
ph: 519 744 8005

### Worldwide offices

United Kingdom  
ph: +44 (0) 118 977 8000  
Germany  
ph: +49 2161 664540  
France  
ph: +33 (0) 1 41 21 44 04  
Spain  
ph: +34 91 633 9990

Republic of South Africa  
ph: +27 (0)11 510 0094  
Eastern Europe and Russian Federation  
ph: +36 (0) 1 47 48 100  
United Arab Emirates  
ph: +971 4 3206688

India  
ph: +91 80 6708 9999  
Singapore  
ph: +65 6877 8737  
China (Shanghai)  
ph: +86 21 6278 7708  
China (Beijing)  
ph: +86 10 6561 0240

Japan (Tokyo)  
ph: 81 3 3599 7481  
Korea (Seoul)  
ph: +82 2 702 1601

Independent sales consultant offices

Italy  
ph: +39 (0) 2 9902 1161



DLP Cinema® Technology  
2009 Academy Scientific and Engineering Award for Color Accuracy

A.M.P.A.S.® Recipients of the 2009 Academy Plaque are: D. Scott Dewald, Greg Pettitt, Brad Walker and Bill Werner.



For the most current specification information, please visit [www.christiedigital.com](http://www.christiedigital.com)

Copyright 2012 Christie Digital Systems USA, Inc. All rights reserved. All brand names and product names are trademarks, registered trademarks or tradenames of their respective holders. Christie Digital Systems Canada Inc.'s management system is registered to ISO 9001 and ISO 14001. Performance specifications are typical. Due to constant research, specifications are subject to change without notice. Printed in Canada on recycled paper. 3411 Oct 12

**CHRISTIE®**